

RSC Global Holdings and Tr LLC Announces U.S. Patent as AI Hologram Display Market Accelerates

RSC Global Holdings and TR LLC today announced the issuance of U.S. Patent No. 12,504,645 B2, titled "Holographic Display" and issued by the United States Patent and Trademark Office on December 23, 2025.



US012504645B2

(12) **United States Patent**
Safari

(10) **Patent No.:** **US 12,504,645 B2**
(45) **Date of Patent:** **Dec. 23, 2025**

(54) **HOLOGRAPHIC DISPLAY**

- (71) Applicant: **Robert Safari**, Seal Beach, CA (US)
- (72) Inventor: **Robert Safari**, Seal Beach, CA (US)
- (*) Notice: Subject to any disclaimer, the term of this patent is extended or adjusted under 35 U.S.C. 154(b) by 525 days.

(21) Appl. No.: **18/060,699**

(22) Filed: **Dec. 1, 2022**

(65) **Prior Publication Data**

US 2023/0168520 A1 Jun. 1, 2023

Related U.S. Application Data

(60) Provisional application No. 63/264,710, filed on Dec. 1, 2021.

(51) **Int. Cl.**
G02B 30/40 (2020.01)

(52) **U.S. Cl.**
CPC **G02B 30/40** (2020.01)

(58) **Field of Classification Search**
CPC G02B 30/40
See application file for complete search history.

(56) **References Cited**

U.S. PATENT DOCUMENTS

10,386,789 B2	8/2019	Shi	
10,969,605 B1 *	4/2021	Evans	G02B 30/54
2021/0200151 A1 *	7/2021	Bae	G02B 5/045

* cited by examiner

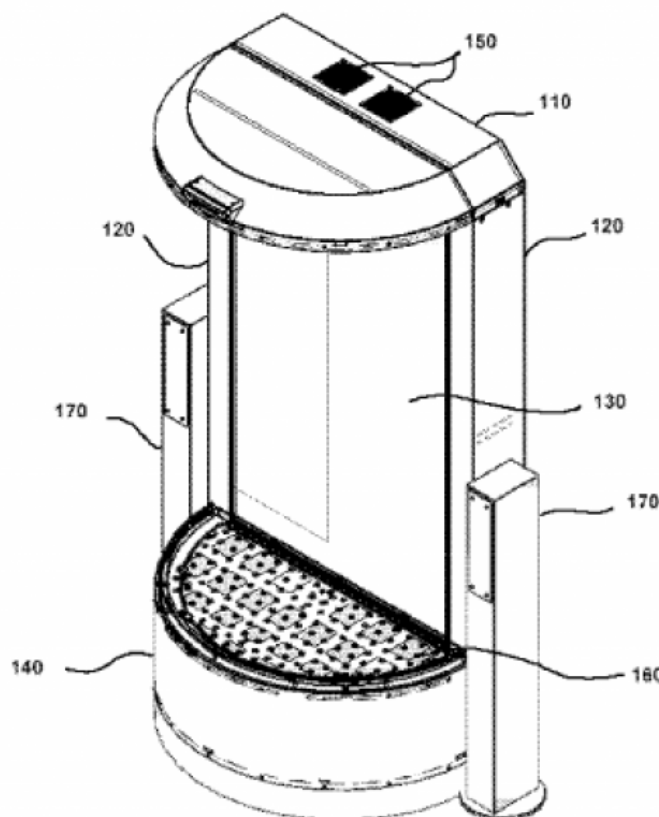
Primary Examiner — Mariam Qureshi

(74) *Attorney, Agent, or Firm* — NetLawyers LLP;
Benedict O'Mahoney

(57) **ABSTRACT**

The present invention discloses a display for projecting images with the appearance of three dimensions. The display comprises a display housing, which includes a semi-circular window, and a display projection system which includes a media input device and a display monitor. The display monitor can be covered in a two-way film, and the window can be tinted, such that when images are transmitted to the display monitor through the media input device, that media images are reflected against the tinted window and appear to be floating in the semicylindrical space circumscribed by the window and display housing, which appears as a cylindrical space to an observer.

8 Claims, 14 Drawing Sheets



Los Angeles, California Jun 1, 2026 ([IssueWire.com](https://www.IssueWire.com)) - RSC Global Holdings and TR LLC Announces Issuance of U.S. Patent Covering Holographic Display Architecture for Emerging Desktop AI Companion and Hologram Hardware Markets

RSC highlights inventor Robert Safari's patented holographic display hardware as interest grows in desktop AI companions, hologram-style retail displays, digital-human systems, and next-generation human-AI interface hardware.

RSC Global Holdings and TR LLC today announced the issuance of **U.S. Patent No. 12,504,645 B2**, titled "Holographic Display" and issued by the United States Patent and Trademark Office on **December 23, 2025**.

The patent names RSC's **Robert Safari** as inventor and relates to a display architecture for projecting a character or other image with the appearance of three dimensions. The patented system includes a display housing, a tinted, semi-circular window, and a display monitor covered with a two-way mirror film, all designed for projecting the image so that it appears to be floating in a cylindrical visual space.

RSC owns the '645 Patent and is proud of its association with inventor Robert Safari and the development of his innovative technology at a time when the market for desktop AI companions, hologram-style hardware, AI avatars, digital-human displays, and interactive visual-assistant devices appears to be accelerating.

"The market is moving quickly toward physical AI presence," said Robert Safari. "Desktop AI companions and hologram-style display devices are no longer just novelty concepts. They are becoming part of a larger conversation around how people will interact with AI visually, emotionally, and physically in their daily lives."

The issuance of the patent comes as consumer electronics, gaming, digital signage, entertainment, retail, education, and AI hardware markets continue exploring new ways to bring AI avatars and digital assistants out of traditional screens and into dedicated physical devices.

RSC believes the next phase of AI hardware may involve more than software alone. As AI assistants become increasingly personalized, visual, and interactive, the physical form factor may become an important part of the user experience.

A Growing Hardware Category

Desktop AI companions and hologram-style displays are being discussed across multiple emerging use cases, including:

- AI avatar companions;
- desktop productivity assistants;
- digital-human retail hosts;
- gaming and esports support tools;
- educational AI guides;
- brand mascots and interactive characters;
- trade-show and exhibition displays;
- smart retail product showcases;
- entertainment and creator-based AI experiences.

RSC believes that this emerging category creates opportunities for responsible commercialization, manufacturing, licensing, and partnership.

Commercialization and Licensing Review

RSC is currently evaluating opportunities related to commercialization, licensing, manufacturing partnerships, and authorized distribution channels for products within the patented technology space.

The company is interested in speaking with manufacturers, brands, developers, distributors, and industry partners that are exploring desktop AI companion hardware, hologram-style display devices, AI avatar systems, digital-human platforms, and related visual-interface products.

“As this category develops, we believe it is important for the market to mature responsibly,” Safari added. “That means encouraging innovation, respecting patent rights, supporting collaboration, and creating clear licensing paths for companies that want to participate in this growing space.”

RSC intends to evaluate the market carefully and work with qualified partners that are interested in building, distributing, or commercializing products through appropriate, authorized channels.

About the Patent

U.S. Patent No. 12,504,645 B2, titled **“Holographic Display,”** was issued on **December 23, 2025**, following a patent application originally filed in 2021. The patent relates to a display system designed to project images with the appearance of three dimensions using a display housing, semi-circular window, display monitor, two-way mirror film, and tinted reflective window arrangement.

About RSC Global Holdings and TR LLC

RSC Global Holdings and TR LLC is focused on the commercialization, licensing, and strategic development of intellectual property and product opportunities in emerging technology markets, including hologram-style display systems, desktop AI companion hardware, digital-human interfaces, and next-generation consumer electronics.

Licensing Contact:

Scott Breedlove | Partner

Carter Arnett PLLC

Email: sbreedlove@carterarnett.com

Direct: 214.550.8172

Website: www.carterarnett.com

Media Contact:

Robert Safari / rsafari@rscglobalholdings.com / www.rscglobalholdings.com

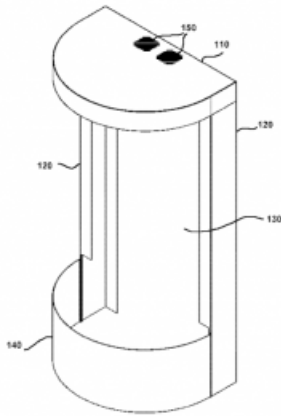


FIG. 1

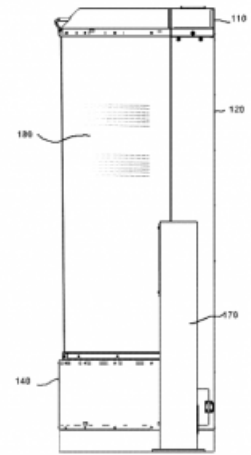
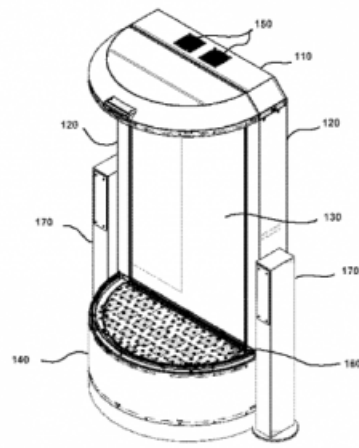


FIG. 3

Media Contact

RSC GLOBAL HOLDINGS AND TR LLC

*****@RSCGLOBALHOLDINGS.COM

3109198553

<http://www.rscglobalholdings.com>

Source : RSC GLOBAL HOLDINGS AND TR LLC.

[See on IssueWire](#)